

Full E Band Passive Multiplier



Description:

AT-PM3-6090M is a full E band, passive frequency multiplier. The multiplier has an input frequency of 20-30 GHz with a typical Conversion loss of -20dB.

The multiplier also has a typical harmonic suppression. The input port is 2.92mm female, and the output is WR-12. Other port configurations are available under different requirement. AT-AM2-1844-18XC2 can be used as a driver for this passive module.

More information, please visit www.atmicrowave.com

Feature

- ✓ Frequency: 60-90GHz
- ✓ CL: -20dB typical
- ✓ Input: 20-30GHz +17dBm
- ✓ Low Harmonics

Application

- ✓ E band Communication
- ✓ Test Equipment
- ✓ ROF (RF Over Fiber)
- ✓ Radar System

Electronical Specifications:

Parameter	Min	Typical	Max
Input Frequency	20GHz		30GHz
Input Power		+17dBm	+20dBm
Multiplier Factor		X3	
Output Frequency	60GHz		90GHz
Conversion Loss		-20dB	-25
Pout (Pin=+17dBm)		-3dBm	
Harmonic Suppression		-15dBc	
Drain Voltage		NO	
Spec Temp		25C	





AT-PM3-6090M

Passive Multiplier x3, 60-90GHz

Mechanical Information

Item	Description
Input Port	2.92mm Female
Output Port	WR-12
Case Material	Copper
Finish	Gold Plated
Weight	65g
Size:	See outline

Absolute Maximum Ratings Table

Parameter	Value
RF Input Power	+21dBm
Operating Temperature	0 to +50C
Storage Temperature	-65 to +150C

Notes:

- ✓ Datasheet may be changed according to update of MMIC, Raw materials , process, and so on.
- ✓ This data is only for reference, not for guaranteed specifications.
- ✓ Please contact AT Microwave team to make sure you have the most current data.
- ✓ Always pay attention to the temperature of the case, heatsink and fan are required if case temperature exceeds over 50C.



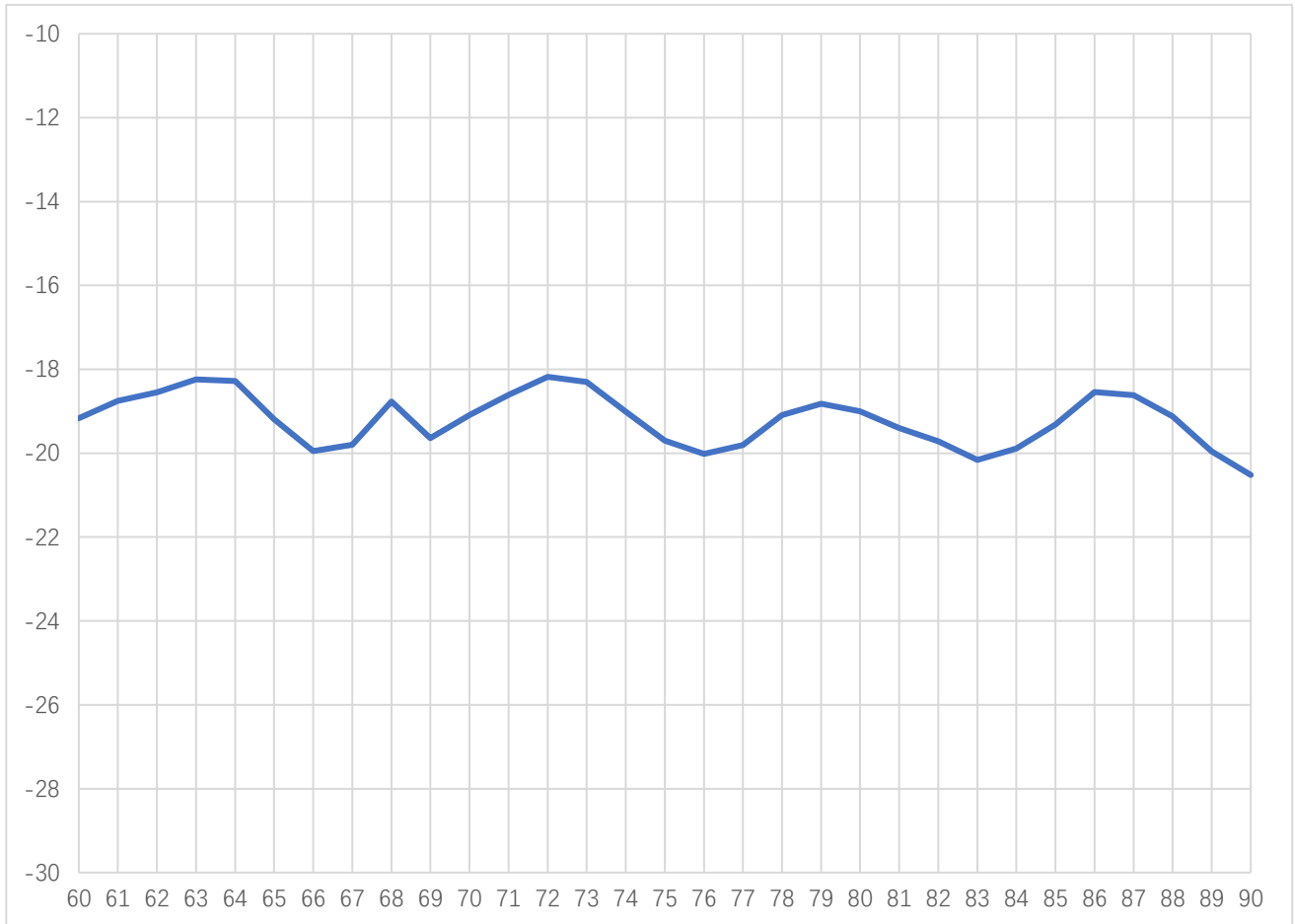


AT-PM3-6090M

Passive Multiplier x3, 60-90GHz

TEST DATA: (25C)

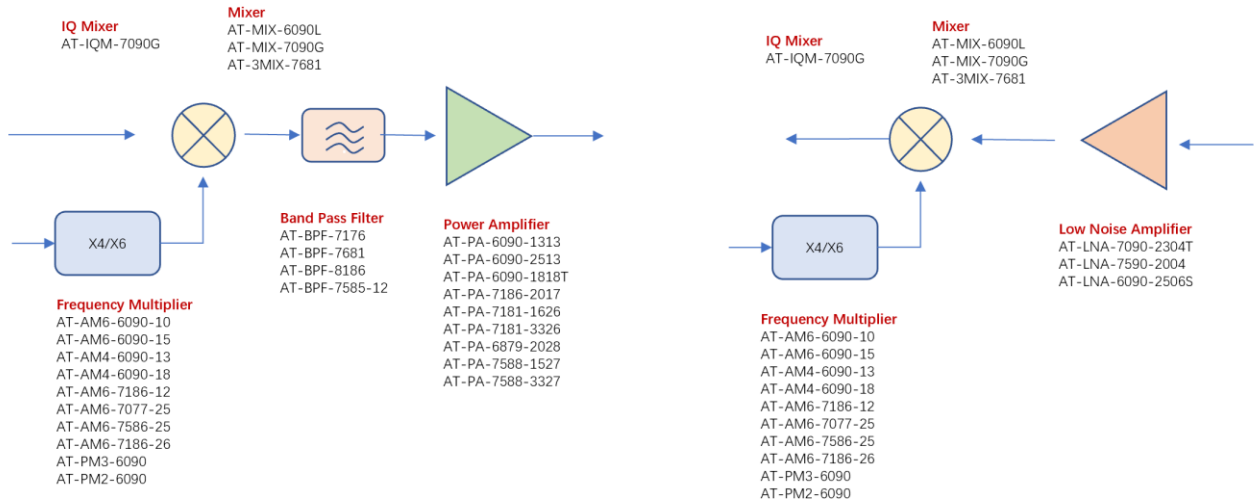
Pin=+17dBm



Conversion Loss vs Frequency



E Band 60-90GHz



Dimension(mm)

